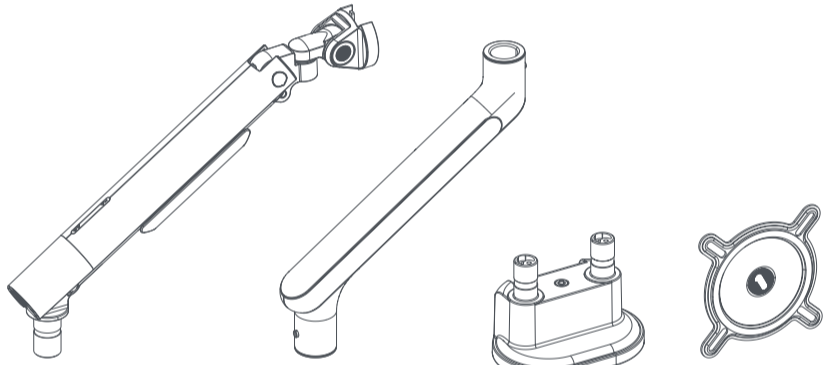
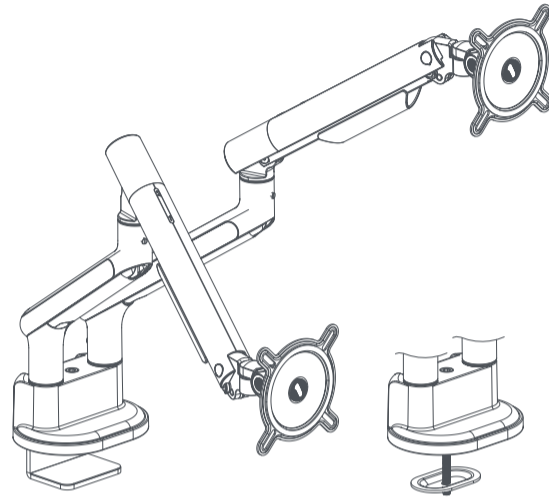
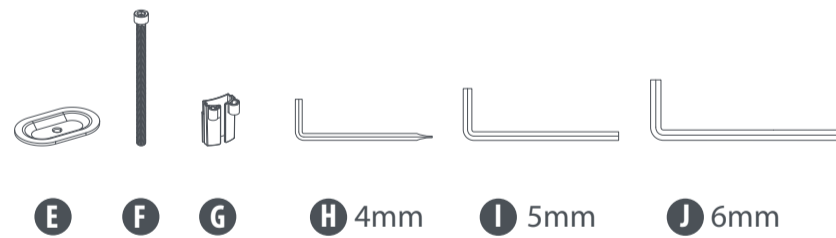




Universal
100 x 100 max

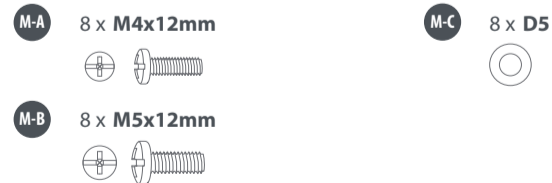


A 2x **B** 2x **C** **D** 2x



E **F** **G** **H** 4mm **I** 5mm **J** 6mm

Package M



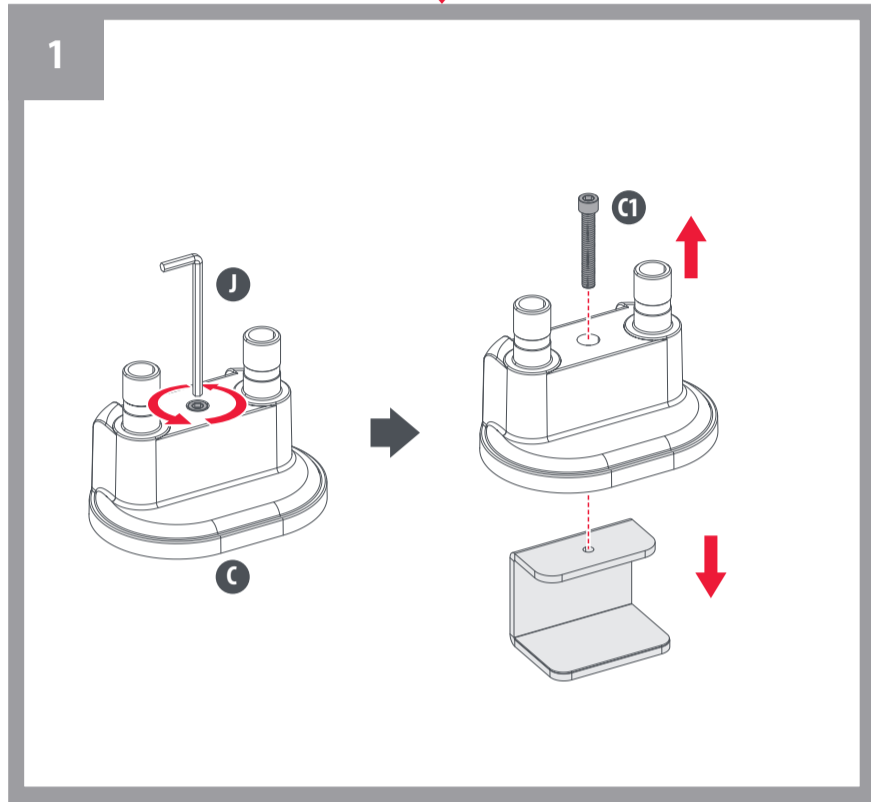
Separate the waste
Differenza i Rifiuti



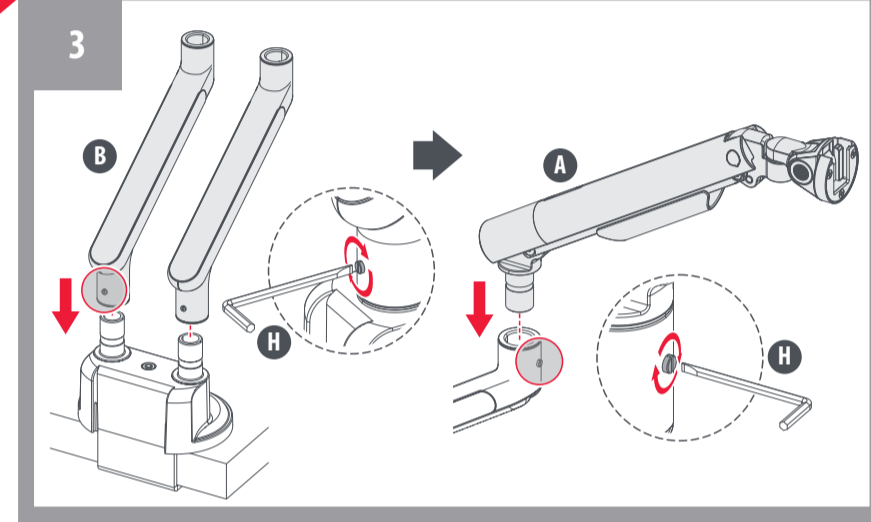
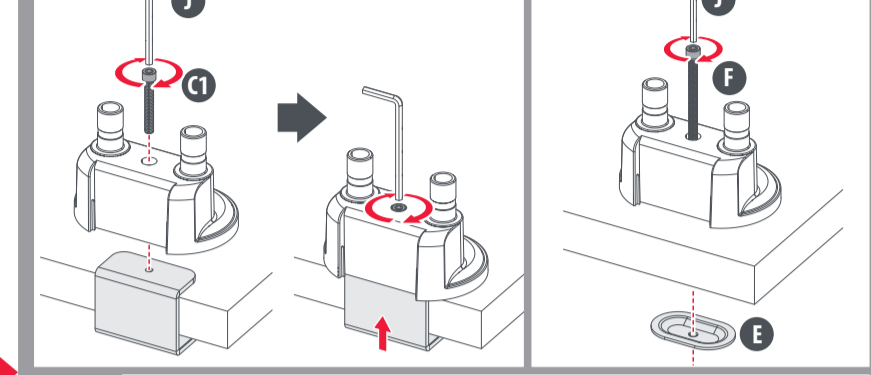
<http://www.oneforall.com/documents>

Universal Electronics B.V. - Europe & International
P.O. Box 3332, 7500 DH Enschede
The Netherlands
DM7210/DM7220
713665

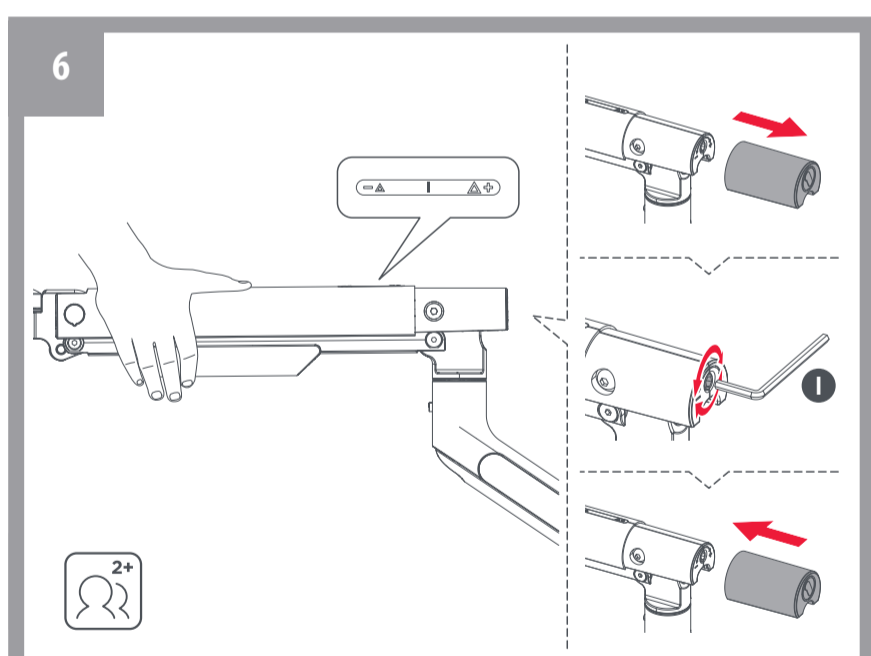
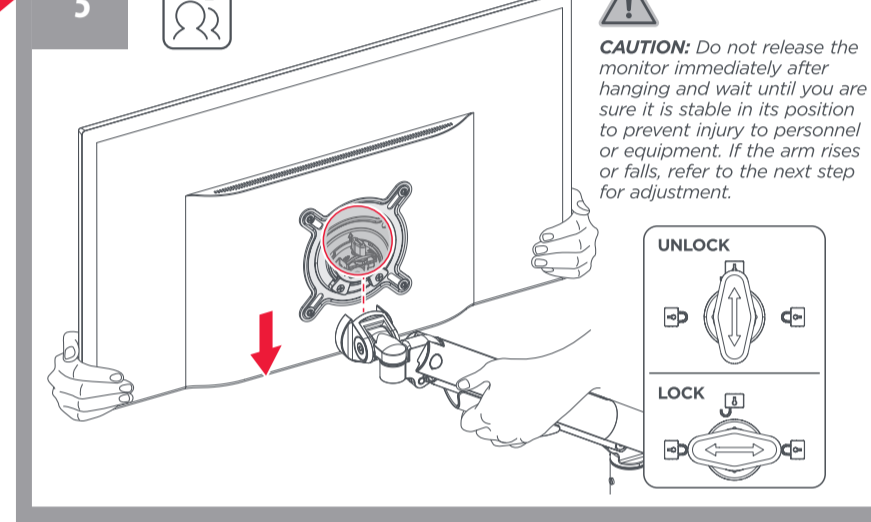
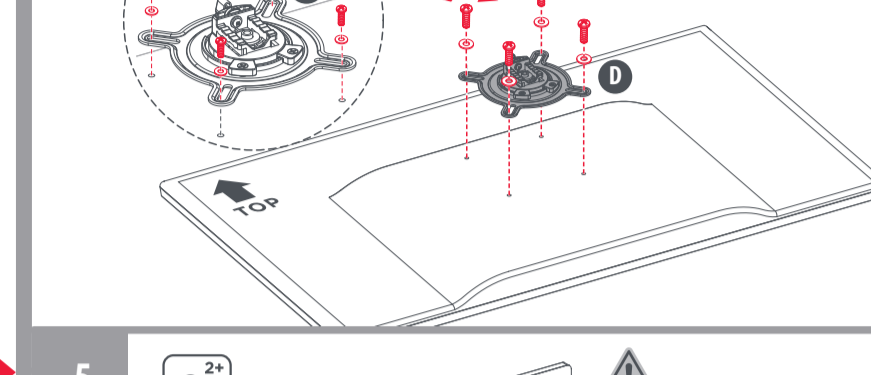
START



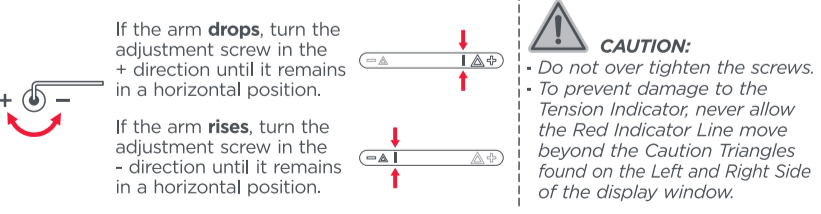
2a CLAMP INSTALLATION
for 10-50mm thickness desks
2b GROMMET INSTALLATION
for 10-50mm thickness desks
& Ø10-60mm installation holes



4

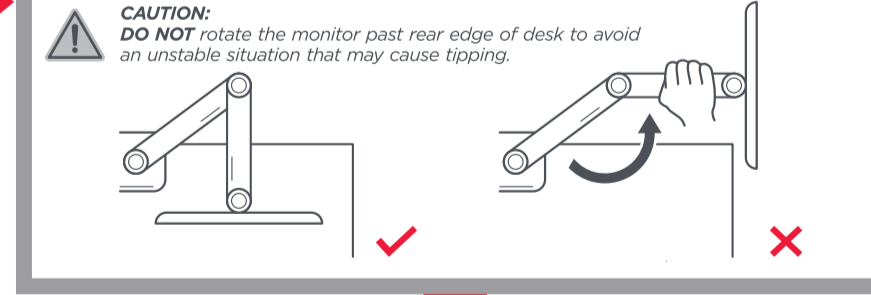
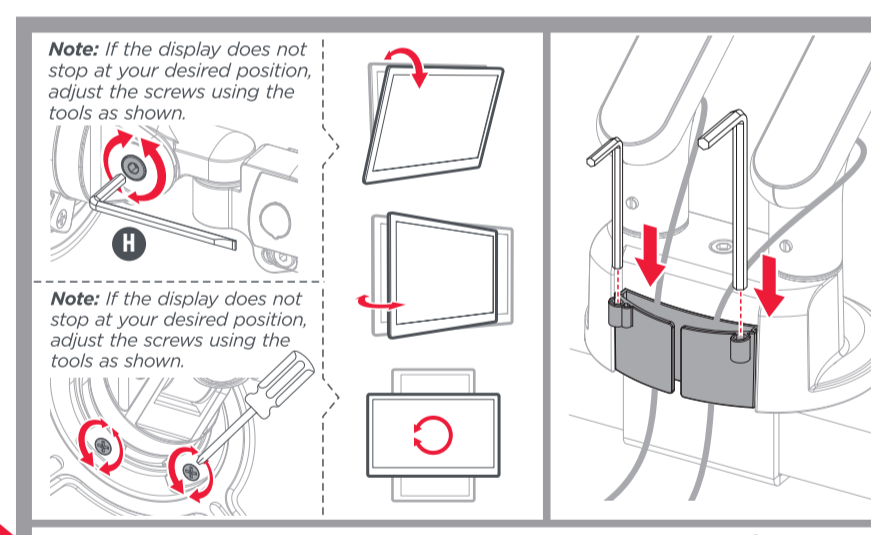
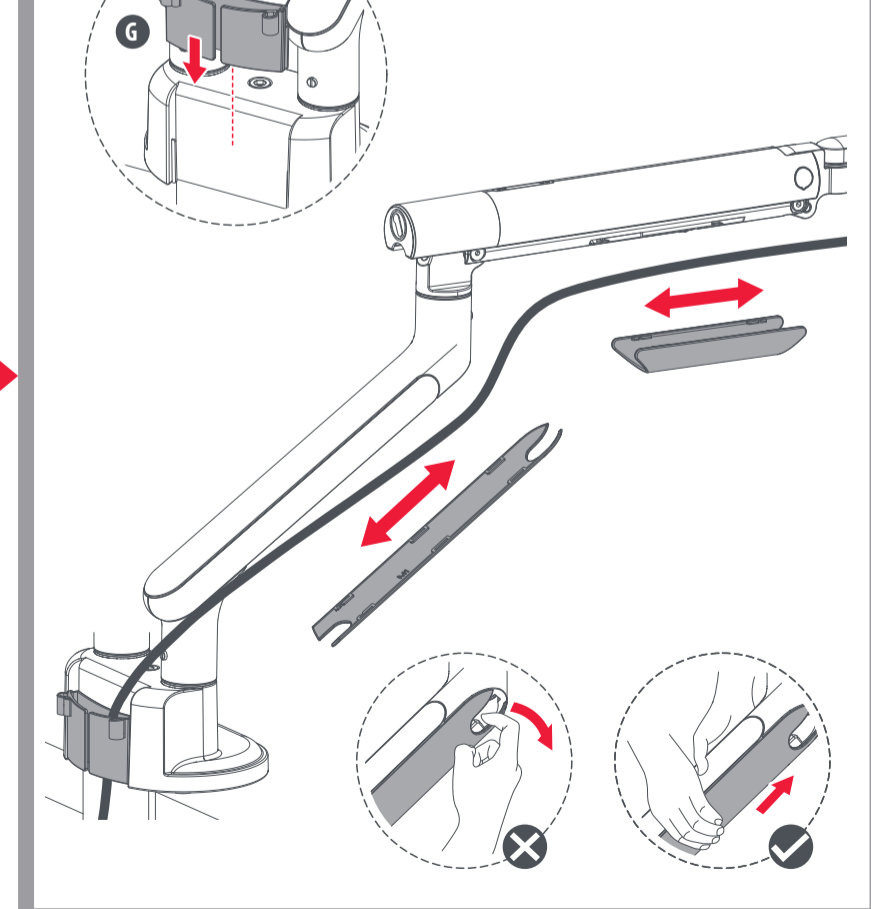


Before adjusting the spring tension and during the adjustment process, **position and hold the arm horizontally as shown**. Use the supplied Allen Key for adjustment. Ask for assistance should you require it.



CAUTION:
Do not over tighten the screws.
To prevent damage to the Tension Indicator, never allow the Red Indicator Line move beyond the Caution Triangles found on the Left and Right Side of the display window.

7



FINISH